

Flatbed Scanner Unit for DR-2580C

Instructions

Thank you for purchasing the Flatbed Scanner Unit for DR-2580C (hereafter referred to as “the scanner unit”).

This scanner unit was developed exclusively for use with the Canon DR-2580C Document Scanner. To ensure that you get the most out of the scanner unit, be sure to read these instructions before attempting to use it for the first time, and keep them with the DR-2580C Startup Manual in a safe place for future reference.

Contents

Handling	2
Specifications	3
Part Names	3
Installing the DR-2580C	4
Removing the DR-2580C	6
Using the Flatbed	7
Cleaning	8

Safe Operation



WARNING

Note the following precautions whenever using the scanner unit. Failure to do so creates the risk of fire or electrical shock.

- Never try to take the scanner unit apart or modify it in any way.
- Do not use flammable aerosol products near the scanner unit.
- Moisten a cloth with plain water, wring out the excess water, and then wipe the exterior of the scanner unit to clean it. Never use alcohol, benzene, thinner, or any other flammable substances.
- In the case of a scanner unit malfunction, such as mechanical failure when it is powered up, immediately turn OFF the DR-2580C and contact the Canon dealer or service representative.
- Do not drop the scanner unit, or subject it to impact or strong shock. Should the scanner unit ever become damaged, immediately turn OFF the DR-2580C and contact the Canon dealer or service representative.



CAUTION

- Do not locate the scanner unit on a surface that is unstable or tilted, or in an area subjected to strong vibration. Such conditions might cause the scanner unit to fall and create the risk of personal injury.
- Never store the the scanner unit by hanging it on a wall in an upright configuration. Doing so might cause the scanner unit to fall and become damaged.
- Never touch the connector pins or contacts of the scanner unit with your fingers. Doing so might result in malfunction.
- Never press down on the flatbed cover with excessive force while scanning a book or other thick object on the flatbed. Doing so might damage the glass and create the risk of malfunction or personal injury.
- Never place any object other than documents to be scanned onto the scanner unit's flatbed glass. Doing so might result in malfunction.
- Never place anything on top of the scanner unit. Such objects may tip or fall over and create the risk of personal injury.
- Be sure to grip the plugs when connecting the cord. Holding the cord might break the core leads.
- Before moving the DR-2580C with the scanner unit attached, always disconnect the interface cable connected to the DR-2580C and the AC adaptor first. Moving the DR-2580C with cables attached might cause damage to the plugs and connectors due to excessive force applied to them during movement.
- Hang the scanner never upright standing to the wall. The scanner could fall down to cause the damage.
- The ferrite core attached to the scanner unit is required to comply with electromagnetic interference regulations. Do not remove the ferrite core.

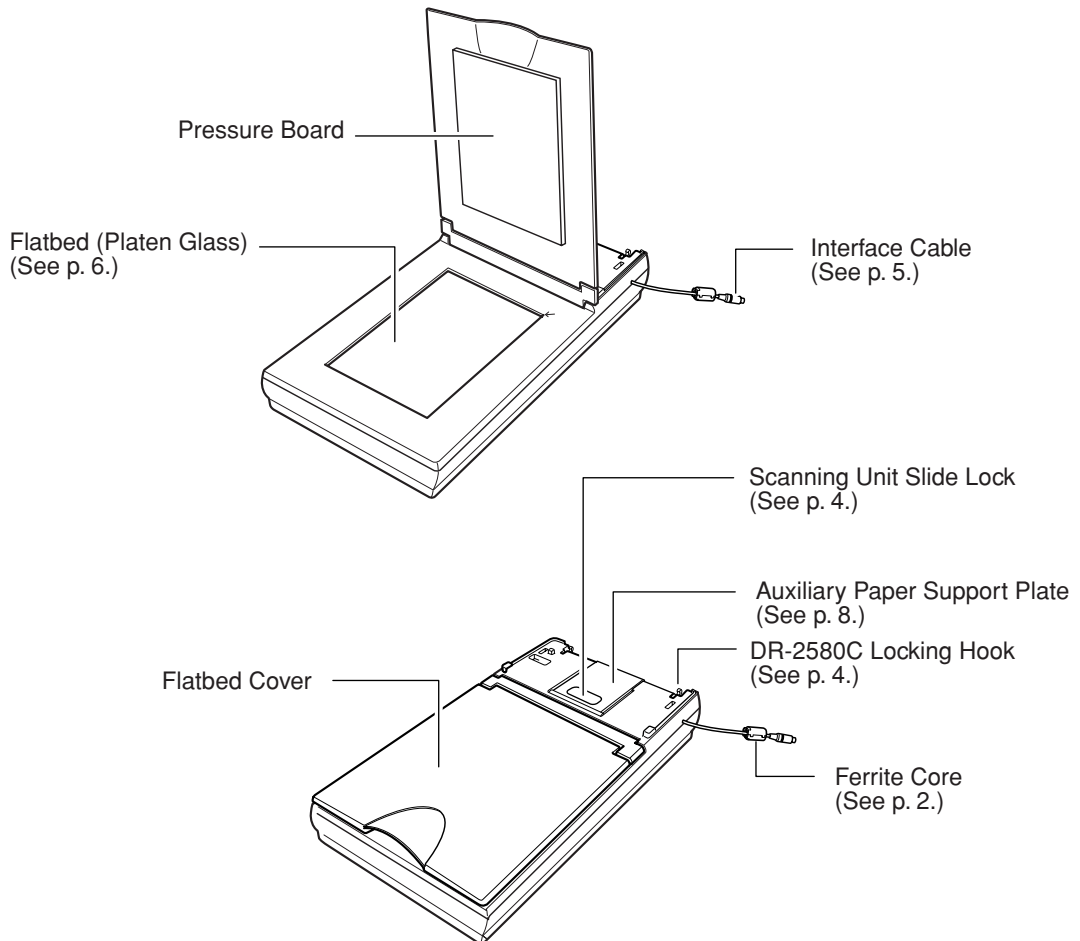
Specifications

Type	Flatbed scanner
Maximum Document Size	216 mm x 297 mm (W x L)
Scanning sensor	CCD(*)
Light Source	External gas fluorescence lamp(*)
Scanning Resolution	600 dpi
Dimensions	12.4" x 3.2" x 21.5" (W x H x D) 315 mm x 82.5 mm x 545 mm (W x H x D)
Dimensions (with DR-2580C)	12.4" x 6.1" x 21.5" (W x H x D) 315 mm x 155 mm x 545 mm (W x H x D)
Weight	8.4 lb (3.8 kg)
Weight (with DR-2580C)	12.6 lb (5.7 kg)
Power Requirement	Supplied from DR-2580C

(*) Because the scanning sensor and light source differ from the scanning sensor (CIS) and light source (LED) of the DR-2580C main unit, tones of scanned images may differ slightly.

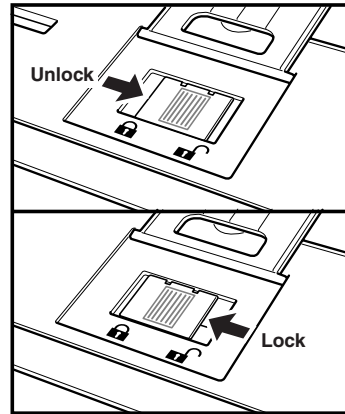
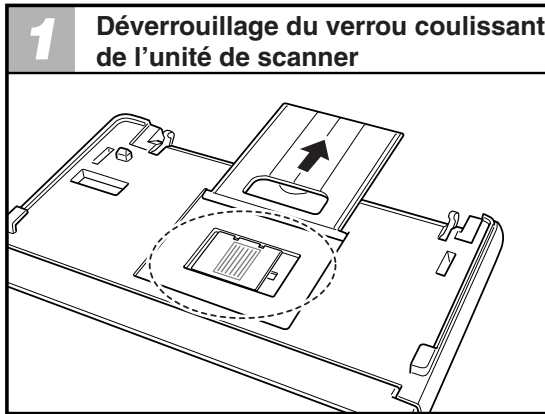
Specifications are subject to change without notice.

Part Names



Installing the DR-2580C

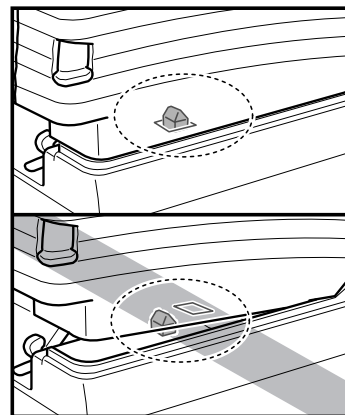
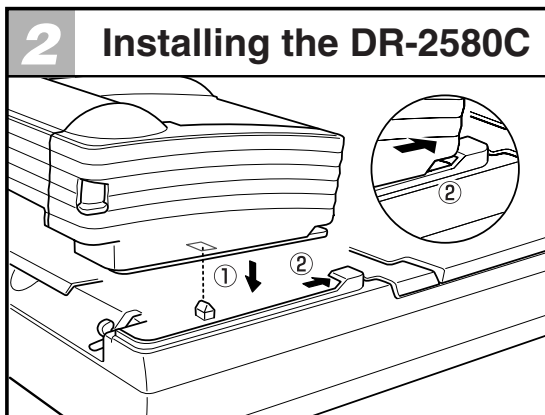
Use the procedure below to install the DR-2580C on the scanner unit.



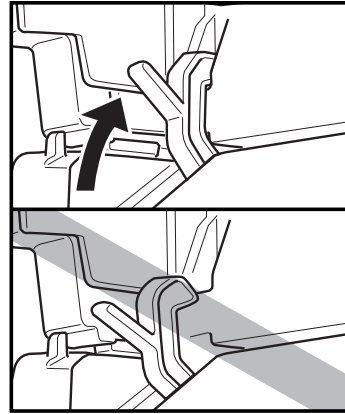
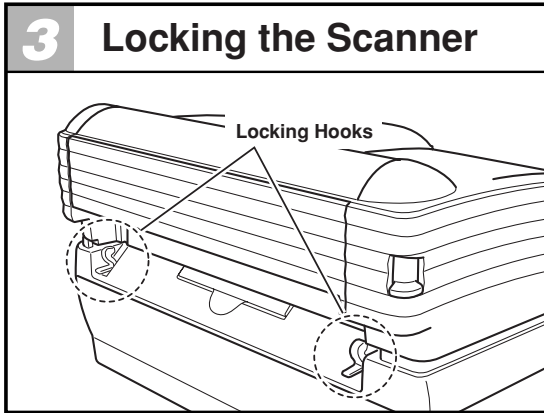
The scanner mechanism inside the scanner unit is locked to avoid movement during transport. Before setting the DR-2580C on the scanner unit, be sure to unlock the scanning unit slide lock.

⚠ CAUTION

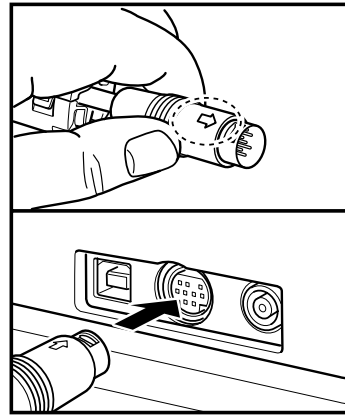
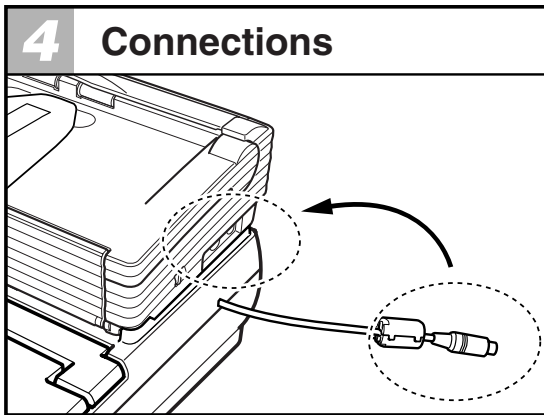
- Turning the power ON without unlocking the scanning unit slide lock might result in malfunction of the scanner unit.
- Never touch the connector pins or contacts of the scanner unit with your fingers. Doing so might result in malfunction.
- When relocking the scanning unit slide lock, make sure it is in the home position (the position it reaches at the end of a scan) before locking it.



Positioning the DR-2580C on its protrusions to enter the holes in the bottom of the DR-2580C ①, and then slide the scanner unit forward into place ②.



Check to make sure that the DR-2580C is not loose, and that the hooks on the left and right of the scanner unit secure the DR-2580C in place. Check to make sure that the hooks are fully engaged.

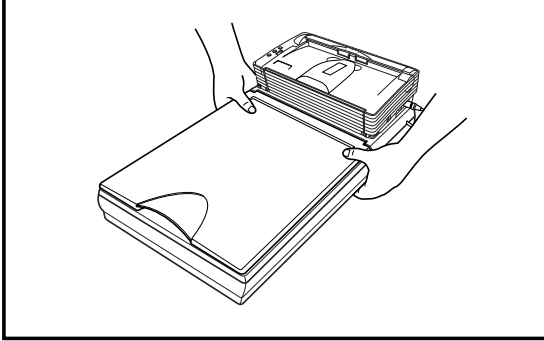


Making sure the arrow on the plug is on top, insert the plug into the connector as far as it will go.

⚠ CAUTION

- Be sure to grip the plugs when connecting the cord. Holding the cord might break the core leads.
- Incorrect DR-2580C installation will cause scanning errors and make scanning with the scanner unit and DR-2580C impossible.
- Do not disconnect the plug or operate the locking hooks while the DR-2580C power is turned ON. Doing so might cause malfunction of the scanner unit and the DR-2580C.

5 Configuring Flatbed Settings



Whenever moving the scanner unit, grip it with both hands to keep it from falling. The scanner unit weighs approximately 8.4lb (3.8 kg) alone, while the DR-2580C and scanner unit together weigh approximately 12.6 lb (5.7 kg).

! WARNING

Do not drop the scanner unit, or subject it to impact or strong shock. Should the scanner unit ever become damaged, immediately turn OFF the DR-2580C and contact your local authorized Canon dealer or service representative.

! CAUTION

- Before moving the DR-2580C while it is installed on the scanner unit, first make sure that the scanner unit is secured by the hooks. Moving the unit while the hooks are released might cause the scanner unit to drop and become damaged.
- Before moving the DR-2580C while it is installed on the scanner unit, always disconnect the interface cable connected to the DR-2580C and the AC adaptor first. Moving the DR-2580C with cables attached might cause damage to the plugs and connectors due to excessive force applied to them during movement.
- Do not locate the scanner unit on a surface that is unstable or tilted, or in an area subjected to strong vibration. Such conditions might cause the scanner unit to fall and create the risk of personal injury.

Removing the DR-2580C

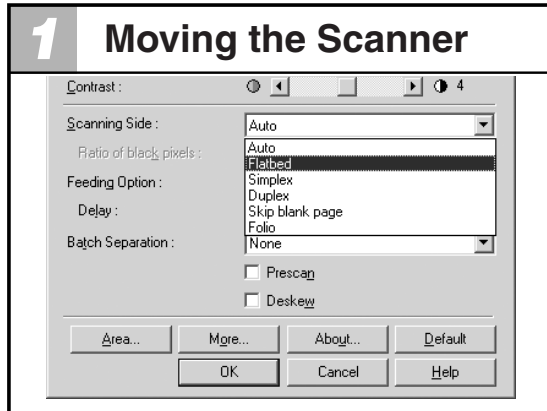
To remove the DR-2580C, first release the locking hooks, and then lift up on the back of the DR-2580C to remove it.

! CAUTION

Never store the scanner unit by hanging it on a wall in an upright configuration. Doing so might cause the scanner unit to fall and become damaged.

Using the Flatbed

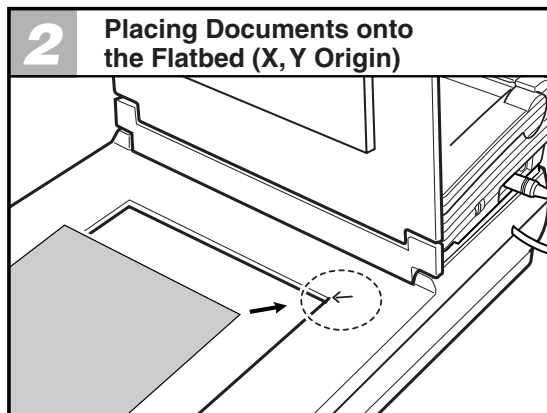
Use the flatbed as described below.



When using the flatbed scanner, select either [Flatbed] or [Auto] for the ISIS/TWAIN driver [Scanning side] setting. Refer to Help for the ISIS/TWAIN driver for information about the ISIS/TWAIN driver settings.

CAUTION

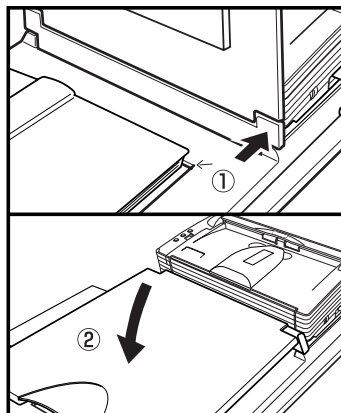
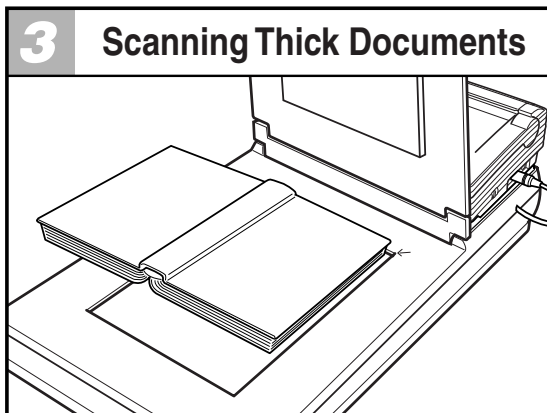
Unless the DR-2580C is correctly installed, scan errors will be generated when attempting to scan, and scanning from the Flatbed scanner and the DR-2580C will not be possible. Make sure the DR-2580C is correctly installed before starting to scan.



The upper right corner of the flatbed (platen glass) is the origin (0, 0) of the X, Y coordinates.

CAUTION

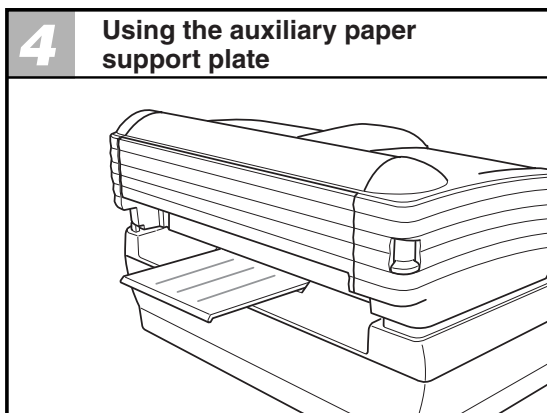
- Never place any object other than documents to be scanned onto the scanner unit's flatbed glass. Doing so might result in malfunction.
- Do not allow the scanner unit to be subjected to vibration while it is operating. Vibration might cause scanning errors.



When scanning a book or other thick document, open the flatbed cover. Align the book or other thick document with the upper right corner of the platen glass by the arrow ①, and then close the flatbed cover ②.

CAUTION

Never press down on the flatbed cover with excessive force while scanning a book or other thick object on the flatbed. Doing so might damage the flatbed glass and create the risk of malfunction or personal injury.



Extend the auxiliary paper support plate on the back of the scanner unit when performing Straight Path scanning with the DR-2580C. Pulling out the auxiliary paper support plate when cards and other originals are output during Straight Path scanning will keep the output documents from falling from the scanner unit.

Cleaning

Moisten a cloth with plain water, wring out the excess water, and then wipe the exterior of the scanner unit to clean it.

CAUTION

Do not apply excessive force when wiping the flatbed (platen glass). Doing so might damage the glass and create the risk of malfunction or personal injury.